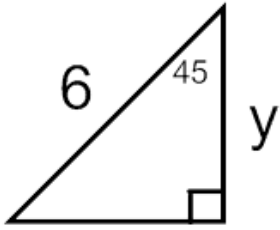


Right Triangle Review

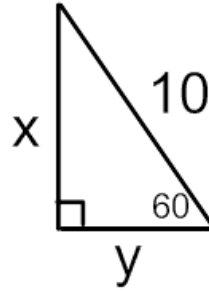
Name \_\_\_\_\_

Solve for x and/or y. Leave all answers in simplified radical form.

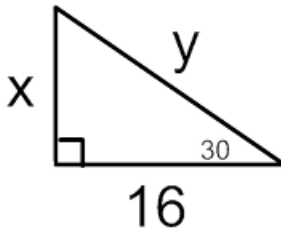
1.



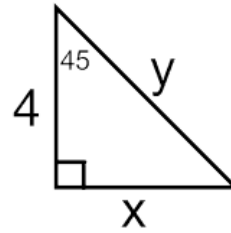
2.



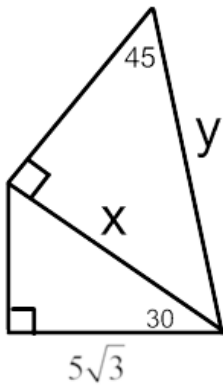
3.



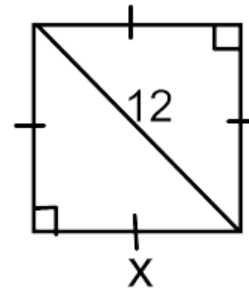
4.



5.



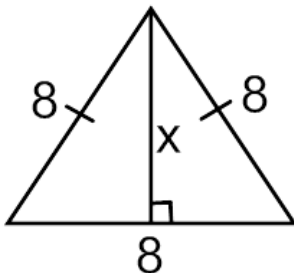
6.



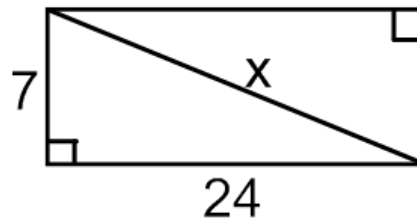
x = \_\_\_\_\_

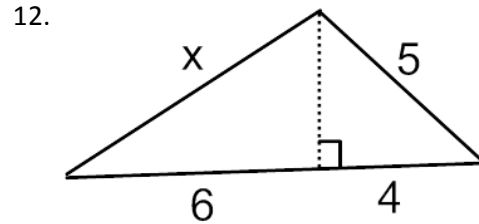
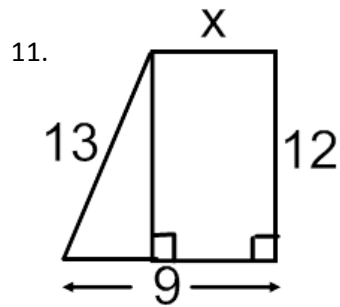
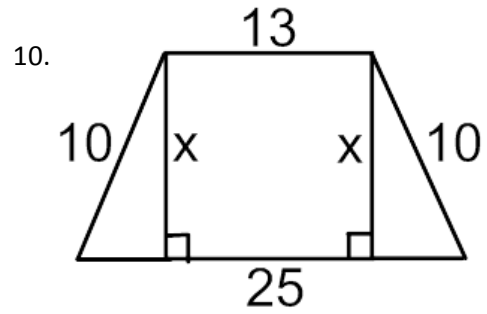
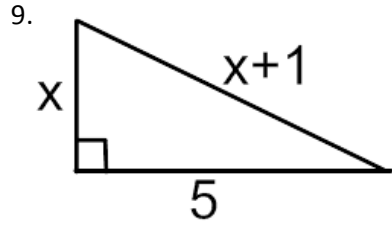
Find the perimeter. \_\_\_\_\_

7.



8.





13. Determine if the following sides form a right, acute, obtuse, or no triangle.

a. 5, 8, 13

b. 3, 7, 8

c. 5, 12, 13

d. 6, 7, 8

14. The altitude of an equilateral triangle is  $8\sqrt{3}$ . Sketch the triangle and find the length of a side.

15. The side length of a square is  $5\sqrt{2}$ . Sketch the triangle and find the length of the diagonal.

16. The side lengths of a right triangle are  $\sqrt{11}$  and  $3\sqrt{11}$ . Sketch the triangle and find the length of the hypotenuse.